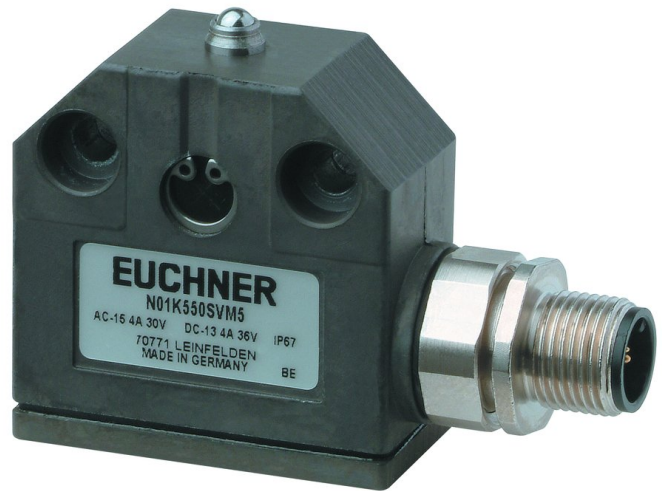

N01K550SVM5-M (ORDER NO. 088624)

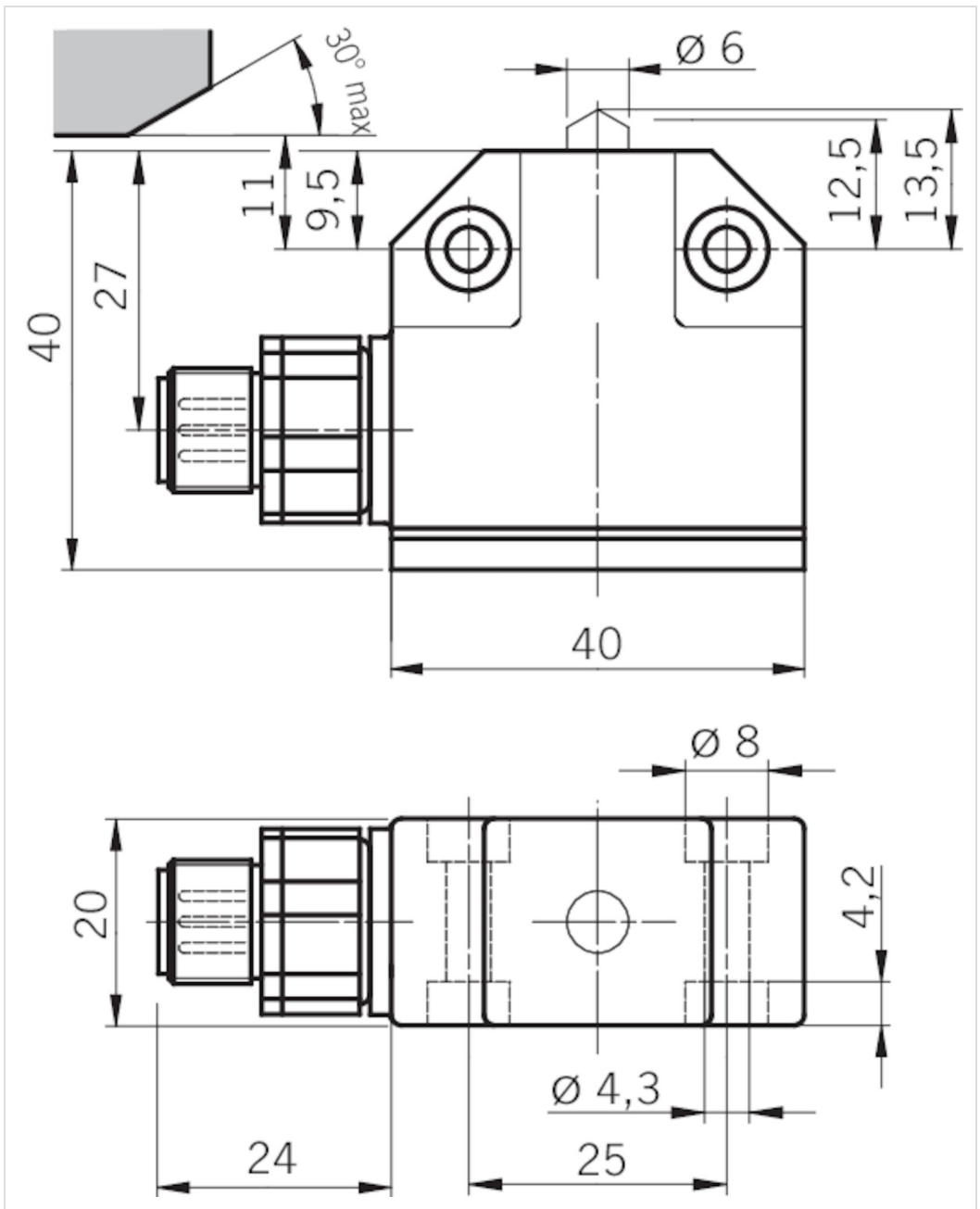
Precision single limit switch N01, ball plunger, plug connector M12

- ▶ Plunger material stainless steel

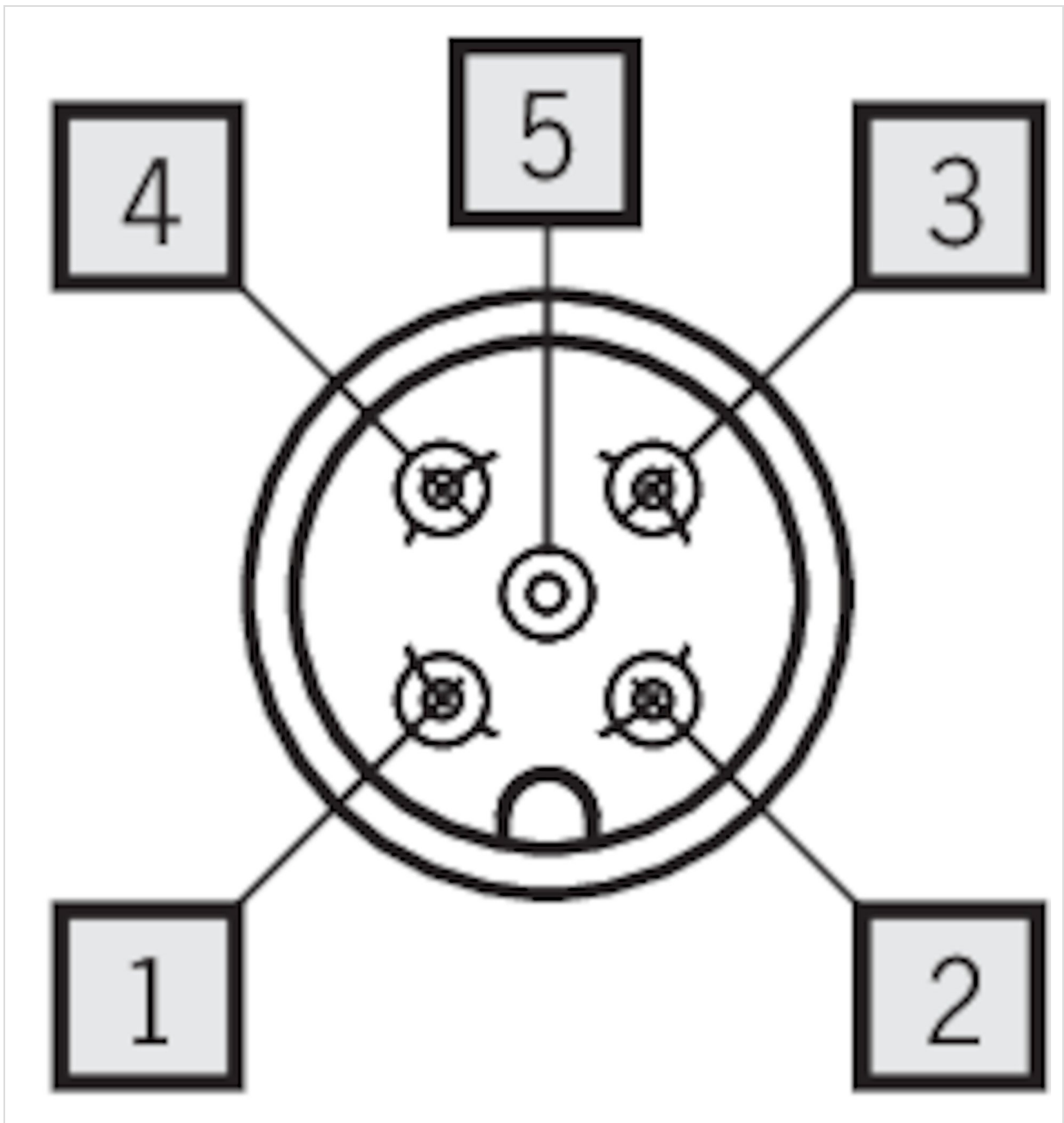


Description

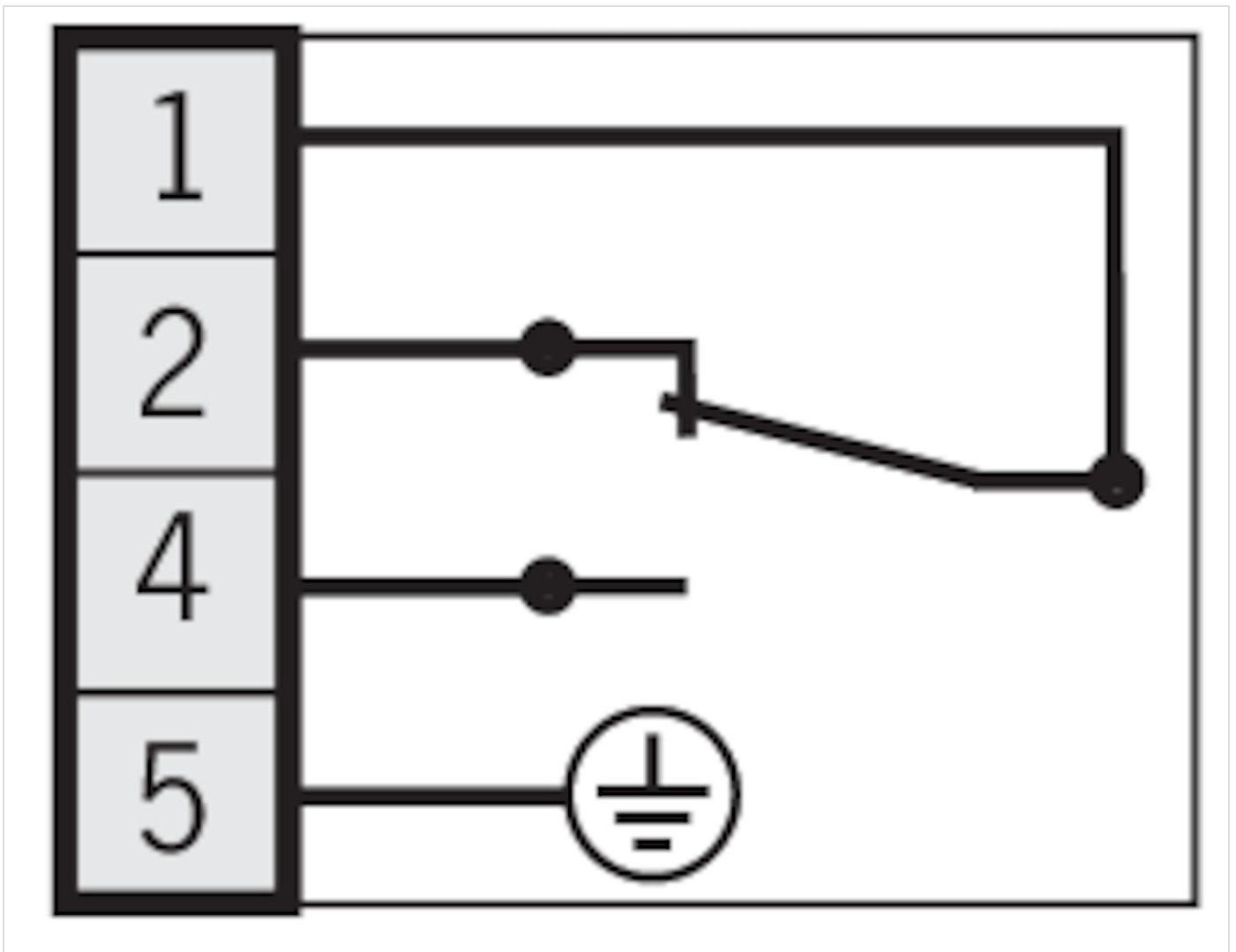
Dimension drawing



Wiring diagram



ES550



Technical data

Approvals

EAC

Mechanical values and environment

Housing material	Housing	Anodized die-cast alloy
Weight	Net	0,07 kg
Ambient temperature		-5 ... 80 °C
Degree of protection		IP64
Mechanical life		10 x 10 ⁶
Contact material		Silver alloy, gold flashed
Switching principle		Changeover contact with snap-action function
Installation orientation		Any
Number of door position NC contacts		1 Changeover contact
Number of door position NO contacts		1 (Changeover contact)
Connection	1 x	Plug connector M12, adjustable (5-pin)
Approach speed		0,01 ... 8 m/min
Actuating element	Steel ball D ball = 4mm	Ball plunger
Actuating force		15 ... 20 N

Electrical connection ratings

Thermal rated current I_{th}		4 A
Utilization category acc. to EN 60947-5-1	AC-15	2A 30V
	DC-13	2A 24V
Short circuit protection according to IEC 60269-1		4A gG
Rated insulation voltage U_i		50 V
Rated impulse withstand voltage U_{imp}		1,5 kV
Switching current	Min. at DC 24V	10 mA

Accessories

Connection material

Connection cable with angled plug connector M12, 5-pin, 5m



073462
C-M12F05-05X050PU05,0-GA-073462

- ▶ M12 female plug, 4-pin + PE
- ▶ Angled plug connector
- ▶ PUR cable
- ▶ Halogen-free
- ▶ Cable length 5 m
- ▶ With flying lead
- ▶ Cores color-coded

Connection cable with straight plug connector M12, 5-pin, 5m



073461
C-M12F05-05X050PU05,0-GA-073461

- ▶ M12 female plug, 4-pin + PE
- ▶ Straight plug connector
- ▶ PUR cable
- ▶ Halogen-free
- ▶ Cable length 5 m
- ▶ With flying lead
- ▶ Cores color-coded

Contacts

🏠 EUCHNER GmbH + Co. KG
Kohlhammerstraße 16
70771 Leinfelden-Echterdingen

☎ +49 711 7597-0

📠 +49 711 753316

✉ info(at)euchner.de